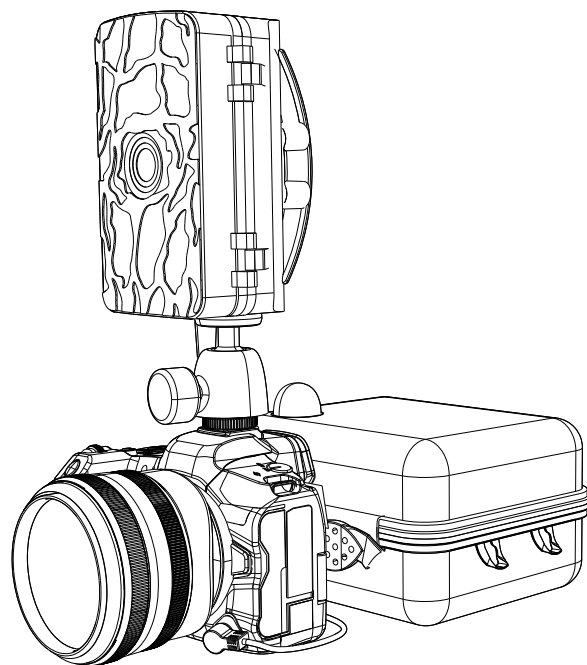


Smart Camera Pal

Installation and use manual

Universal version



Without written authorization from Zhongshan Yueguang Intelligent Imaging Technology Co., Ltd., any form of complete or partial replication of this manual is strictly prohibited (except for simple quotations for article or comment evaluation purposes).

September 2023

Content

Chapter 1 Structure diagram of Smart camera pal	
1. Structure diagram of Smart camera pal.....	1
2. Main control box interface diagram.....	3
3. Shooting function setting screen [Pai pai bao].....	3
4. Light sensing system	4
Chapter 2 Smart camera pal installation	
1. Installation method of camera battery converter.....	5
2. Connection method of shutter release cable.....	6
3. Installation method of trail camera.....	6
4. Installation method of tripod.....	7
Chapter 3 Trail camera setting instructions	
1. Trail camera introduction.....	8
2. Trail camera setting.....	9
3. Description of trail camera trigger sensing feature.....	10
Chapter 4 Power specifications and maintenance of Smart camera pal	
12	
Chapter 5 Product specifications and technical parameters	
13	
Chapter 6 Tips for using Smart camera pal	
1. Smart camera pal initialization time.....	14
2. Shooting mode of control box and camera must be same.....	14
3. Problems that may occur when the digital camera heats up during video recording.....	14
4. Precautions of installing the device.....	15
5. Adjustment of the trail camera sensing angle.....	15
Chapter 7 Safety precautions	
16	
Chapter 8 Product certifications and compliance	
18	

Preface

Thank you for your trust and choosing our products. Congratulations on the purchase of your new device.

The Smart camera pal is an unprecedented shooting system. When the Trail Camera senses the animals showing up, the Smart camera pal control system can receive the information from the trail Camera, and commands the digital camera to take photos or videos.

The Smart camera pal can upgrade your camera, both commonly used and infrequently used cameras in your hands can have automatic shooting functions. Multiple cameras, multi-angle arrangement, and fully automatic shooting method can be used to shoot wild animals.

Smart camera pal is incredibly convenient for capturing your pets. With customized accessories, when you're away, you can view high-definition footage of your pets taken by Smart camera pal.

Smart camera pal can also capture moments at home and gatherings with friends. No need for a dedicated photographer; everyone gets in the frame.

The Smart camera pal had innovated the trail camera. Digital camera can take high-definition and high-pixel images, to meet photographers' increasing demands.

The Smart camera pal is a shooting system that works all day. During the day time, the digital camera and the trail camera work together. But at night, the trail camera continues to work, monitoring the animals in front of equipment, and bring valuable information to the photographer.

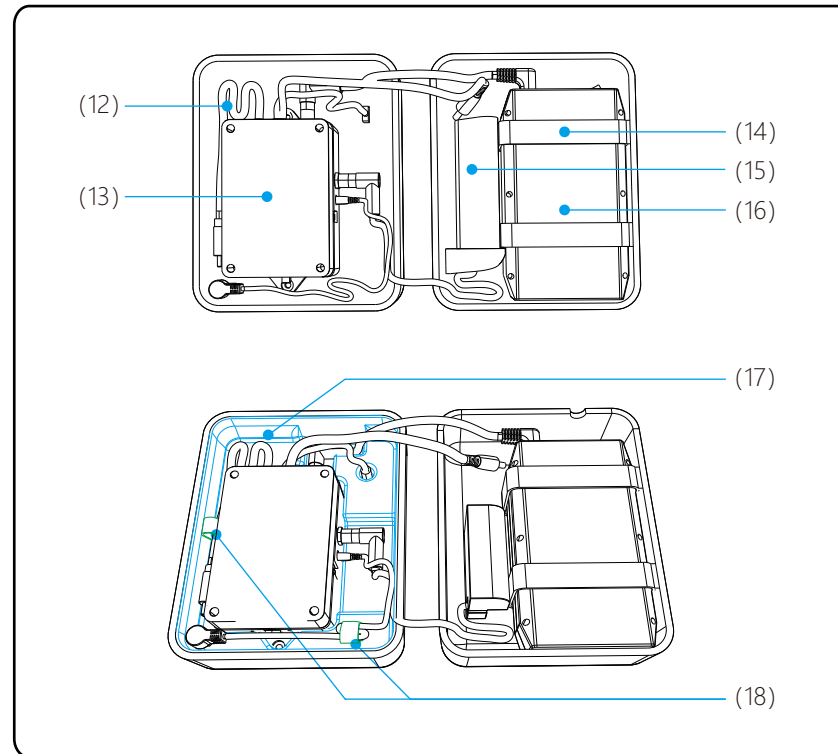
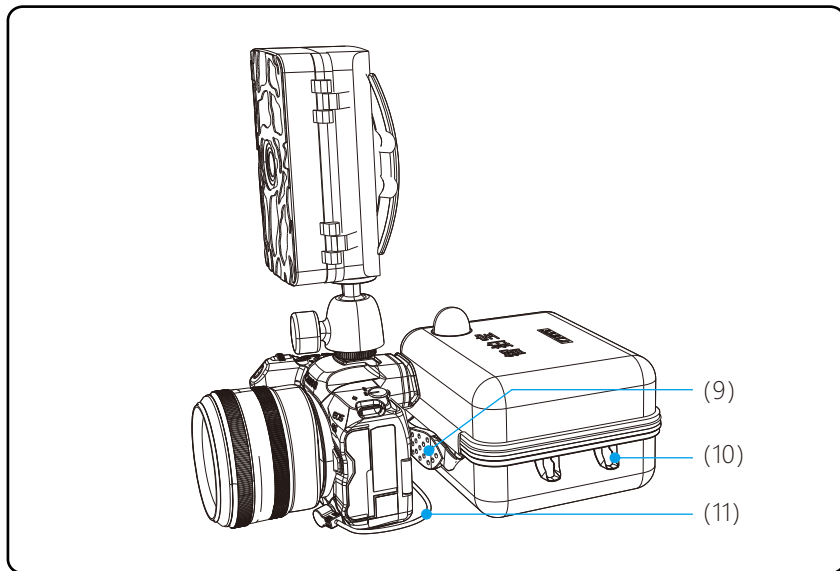
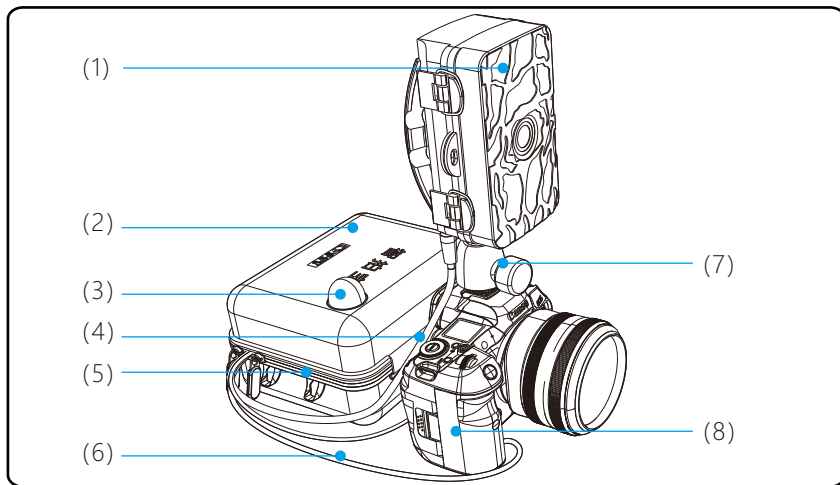
The Smart camera pal can automatically command the digital camera to start up and shutdown through the light sensing system when the day and night change, to reduce the power consumption and improve the shooting efficiency of the camera, extends the working time of camera when outdoor shooting. Connect to the shooting function setting screen [Pai pai bao], can set the shooting functions of Smart camera pal, and the shutdown time and start up time of digital camera, to meet your special requirements for shooting time.

Smart camera pal is compact and lightweight, easy to carry. It can be used with a rain cover to meet various shooting environment requirements.

Detailed information about this can be found in the user manual, so please read it carefully.

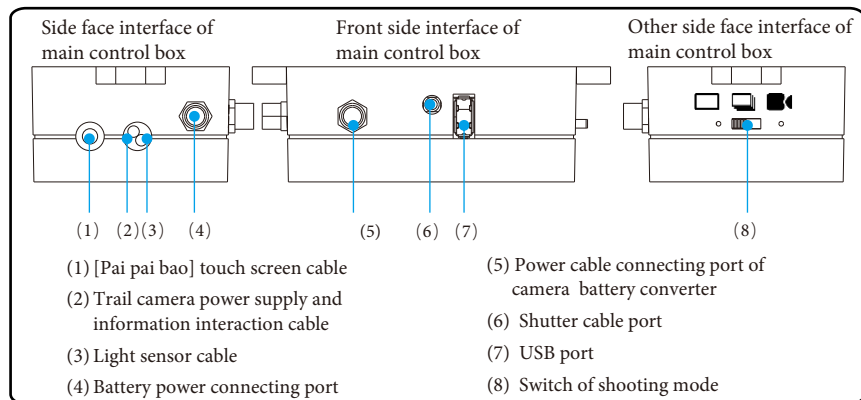
Chapter 1 Structure Diagram of Smart camera pal

1. Structure diagram of Smart camera pal



- | | | |
|--|---|-------------------------------|
| (1) Trail camera | (7) Trail camera | (13) Main control box |
| (2) Body of Smart camera pal | (8) Digital Camera
(Not include in product sets) | (14) Battery fixing rope |
| (3) Light sensor | (9) Carrying handle | (15) Camera battery converter |
| (4) Power supply and information interactive cable of Trail camera | (10) Rope fixing ring | (16) Standard Battery |
| (5) Zipper | (11) Shutter Cable | (17) Packing Lining |
| (6) Power cable of digital camera | (12) [Pai pai bao] touch screen connecting cable | (18) Wire fixed buckle |

2. Main control box interface diagram



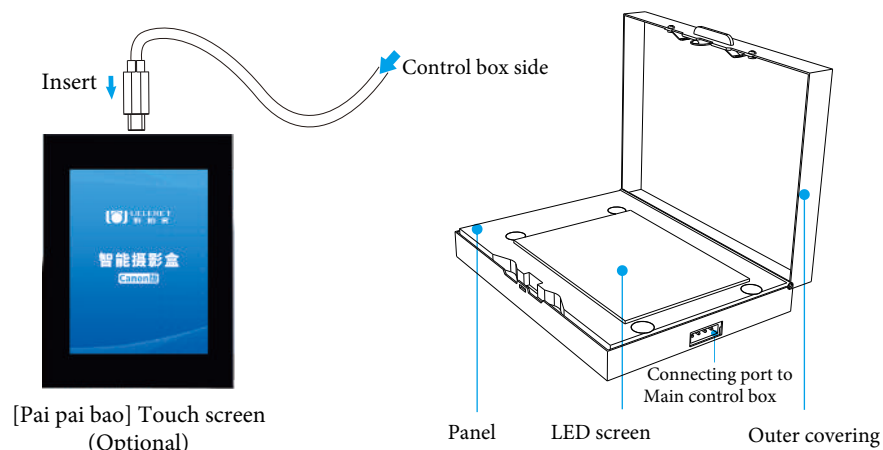
The switch has 3 options: single shot, continuous shot, video recording

Single shot: The camera set to shoot single image

Continuous shot: The camera set to high-speed continuous shot and low speed continuous shot

Video recording: The camera set to video mode

3. Shooting function setting screen [Pai pai bao] diagram (Optional)



Connect the shooting function setting screen [Pai pai bao] touch screen to the main control box, can set the shooting functions, and the startup time and shutdown time of digital camera.

4. Light sensing system

Light sensing system, a highly sensitive light sensor, can sense the light intensity of the shooting environment in real time.

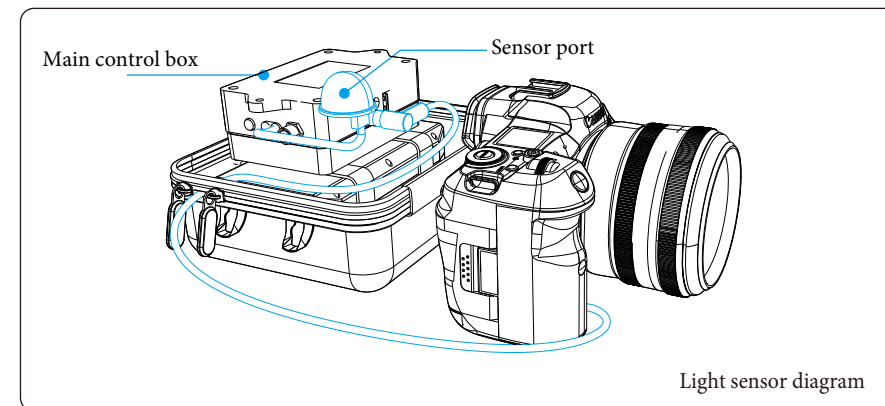
The Smart camera pal automatically controls the shutdown and startup of the digital camera through the light sensing system when the changing of day and night cycle. The digital camera will automatically start up when the light meets the brightness required by the digital camera, and the camera will automatically shut down when the light is insufficient to meet the brightness required by the digital camera.

Special tips:

- (1) Shutdown of camera means that the Smart camera pal stops supplying power to the camera, and it does not mean that the camera hibernates by the power saving function setting.
- (2) It is necessary to observe the surrounding environment when placing the Smart camera pal, and avoid the light sensor being in a shading position. The position of the light sensor should be able to be well illuminated by the light source.
- (3) The shutdown time and startup time of digital camera can be set by the external [Pai pai bao] touch screen device.

Lighting sensing system settings

1. The light sensor value has been set by manufacturer and cannot be changed.
2. The set value, is equivalent to the brightness of light about 30 minutes after sunset.



Chapter 2 Smart camera pal installation

1. Installation method of camera battery converter

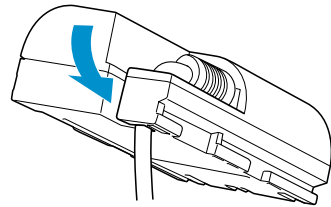
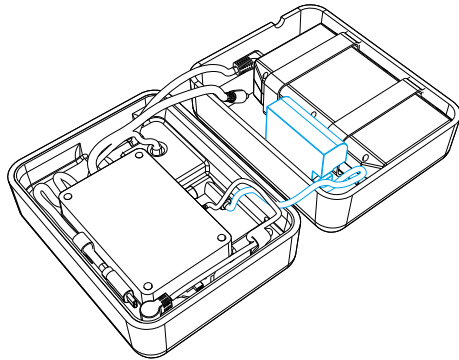
The camera battery converter, installed in the digital camera, and connected to the control box.

Use the own battery of digital camera, which cannot guarantee the long-term battery life. Use the Smart camera pal power supplier to power the camera to meet the battery life requirements. One camera battery converter is included as standard. Other models are additionally ordered, you need to choose appropriate camera battery converter according to the camera model.

Take the installation of a small camera battery converter as an example.

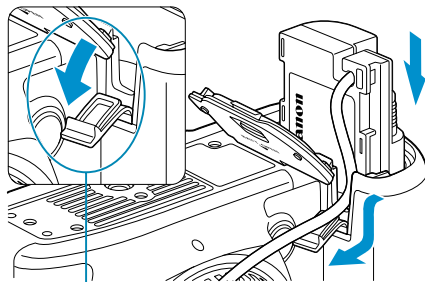
(1) Unzip the zipper and take out the camera battery converter from the box.

(2) Insert the cable of camera battery converter into the groove, and taking care not to damage the cable.



Note: There is a rubber cover on the camera battery compartment. The wires should be placed inside the rubber cover before closing the battery compartment.

(3) Open the battery compartment cover and open the wiring hole cover of camera battery converter, insert firmly until it can be locked, then thread the cable through the hole and close the digital camera's hatch.



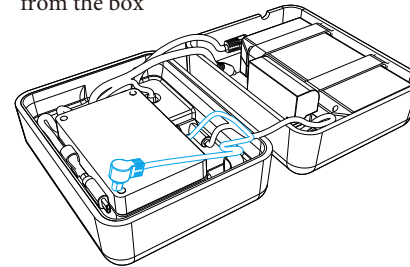
Cable hole for camera battery adapter

If the standard battery converter does not match the camera you are using, please choose a suitable battery converter.

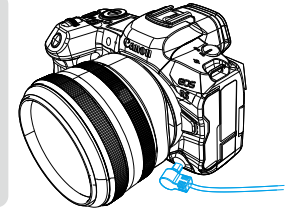
2. Connection method of shutter release cable

a. Take out the shutter release cable from the box

b. Insert the shutter release cable into the shutter cable socket of the digital camera



If the shutter release cable port does not match the camera you are using, please choose a suitable shutter release cable.

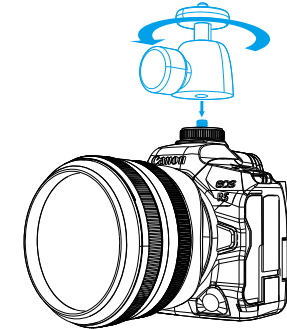
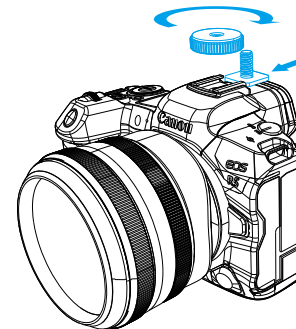


3. Installation method of trail camera

(1) Installation of small ball head

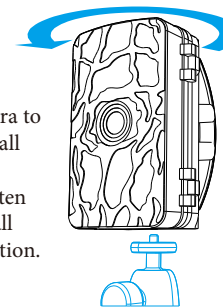
a. Insert the flash screw into the camera flash mount, tighten the hand nut, and lock the screw on the top of the camera.

b. Screw the flash screw into the bottom screw hole of the ball head to complete the fixation of the ball head.



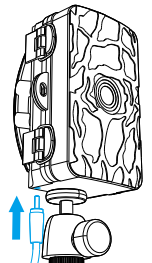
(2) Installation of trail camera

Tighten the screw at the bottom of the trail camera to the screw on the small ball head clockwise. After adjusting the angle, tighten the side knob of the small ball head to fix the direction.



(3) Installation of power supply and information interactive cable of trail camera

Insert the power supply and information interactive cable into the external power supply socket at the bottom of the trail camera to connect the trail camera and Smart camera pal.

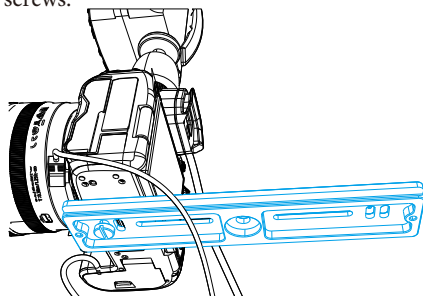


Note: After the installation is complete, turn on the power switch on the battery to enter the working state. Since there is no power switch on the control box, the switch on the battery acts as the power switch of the Smart camera pal.

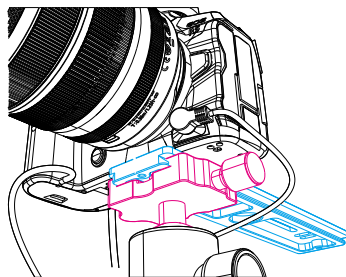
4. Installation of the tripod

The Smart camera pal can be put on the ground directly, also can be mounted on a trip according to shooting height requirements. When set up on the tripod, you can use the extended quick mounting plate (this product configuration is purchased by yourself) for hanging installation, you can also find a way to use the two sides of the Smart camera pal rope ring, through the rope installation tied to the tripod.

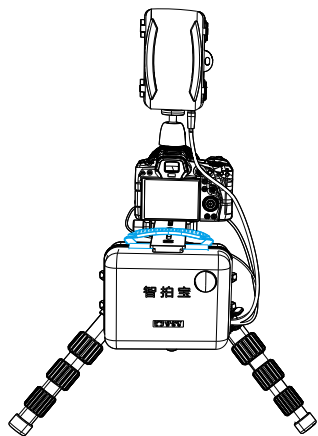
(1) The digital camera is fixed on the extended quick mounting plate by hand twisting the screws.



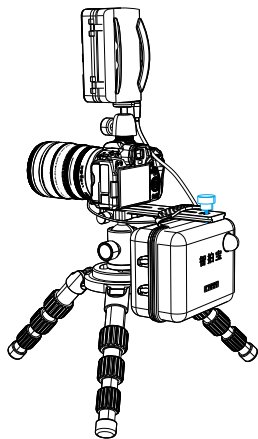
(2) The digital camera, together with the quick mounting plate, is pushed into the head slot above the tripod and locked.



(3) Hang the handle of the Smart camera pal on the quick loading board.



(4) Turn the screw at the end of the quick mounting plate to prevent the Smart camera pal from falling off.



Chapter 3 Setting instruction of trail camera

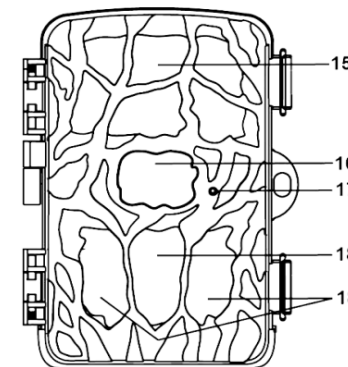
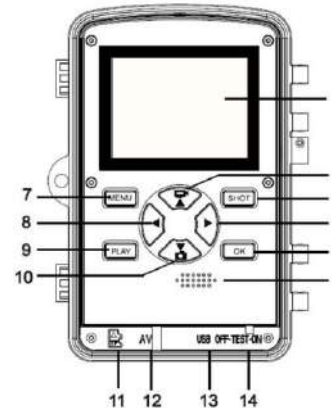
1. Introduction of trail camera

When using the Smart camera pal, the main function of trail camera is to sense animals and transmit the information to the control system of Smart camera pal, then the control system commands the digital camera to capture. Therefore, in order to ensure that the digital camera can quickly enter the shooting state, the trail camera can use individually, just need to operate according to the instructions of trail camera.

The using and setting of trail camera, pls read the instruction of trail camera. This manual only introduces the using of trail camera briefly, and focuses on the corresponding setting requirements to meet the effective shooting of digital camera.



(1) Overview of Trail Camera



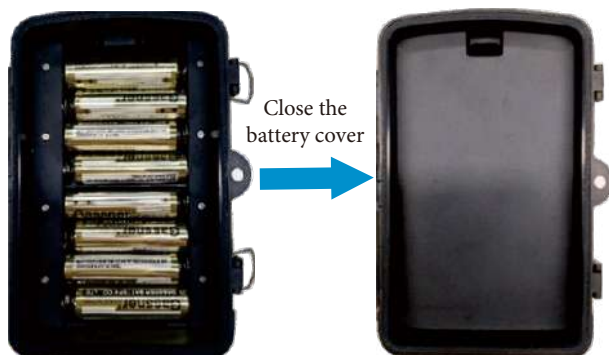
- | | | |
|--------------------|-------------------------|-----------------------------|
| 1. Display screen | 7. Menu button | 13. USB port |
| 2. Up/Video Button | 8. Left button | 14. OFF-TEST-ON mode button |
| 3. Shot button | 9. Playback button | 15. Trail LEDs |
| 4. Right button | 10. Down/Capture button | 16. Lens |
| 5. OK button | 11. TF card slot | 17. Status indicator |
| 6. Speaker | 12. AV port | 18. PIR sensor |

2. Basic operation of trail camera

a. Battery installation

Please insert the batteries before using the camera (batteries are not included).

Open the camera case and remove the battery cover, insert 4 pcs or 8 pcs of 1.5V AA batteries, and make sure the electrode is correct.



b. Insert a TF card

This product has no built-in memory, please insert a TF card before using. The camera will not save any data without a TF card.

Support Micro SD (TF) Card, up to 512Gb, It is recommended that the capacity of the memory card is sufficient for storage during the shooting time, and users are advised to use a high-speed card of level 6 or above.

Do not forcefully insert the memory card, please refer to the marking on the camera.

When the capacity of memory card is full, the camera will stop recording automatically and the LED light will be off.

Press the edge of the card gently to pop-up the memory card.

2. Settings of trail camera

(1) The trail camera must be used after inserting the batteries.

The trail camera must be used after inserting the batteries. 4 or 8 pieces of batteries are acceptable.

Operation steps for trail camera to work

Every time turning on the trail camera, you need to toggle the mode switch o the trail camera. (i.e. Overview Diagram 14 Components)

OFF	TEST	ON
关机	测试	开机
Left	Middle	Right

Switch mode button from OFF to TEST, the picture taken by the lens will appear on the LCD screen (Press the Menu button to open the setup menu), switch mode Button to ON, the number "15" will appear on the LCD screen, until the "0", the LCD screen will be black, then close the cover of trail camera, it starts to work.

If the switch mode button from OFF to ON directly, the number "15" will appear on the LCD screen, until the "0", the LCD screen will be black, then close the cover of trail camera, it starts to work.

There is no built-in batteries, the Smart camera pal cannot read the information of sensing animals by trail camera if you don't operate as above instruction.

(2) The trail camera must be used with memory card

The trail camera will not start work without a memory card, and the digital camera will continuously shoot.

(3) Setting requirements of trail camera.

a. Working mode setting can only be set to photo mode.

b. [photos in series] Options: 1 photo, 2 photos in series, 3 photos in series(up to 3 photos in series).

c. [Shot lag] set to 5 seconds, to make sure the trigger frequency of trail camera is the fastest.

d. [Side motion sensor switch] set to ON.

e. [Target recording time]/ [Time Lapse]/ [Endless Capture] all set to OFF, (must set as this).

(4) Test rule description of trail camera trigger induction frequency.

There is a time interval between the trail camera sensing the animal for the first time to enter the working mode to the second sensing trigger, During this interval the trail camera will not preform a second sensing even if it is always within the sensing range of the trail camera.

3. Description of the trail camera trigger sensing features

(1)The trail camera trigger sensing features

a.The trail camera triggers by sensing the difference in temperature changes.

b.It is sensitive to the temperature difference of objects moving laterally, but not sensitive to the temperature difference of objects moving vertically. It can be understood that when moving laterally, the temperature difference reaction area is large and it is easy to be sensed. When moving vertically, objects with temperature have almost no difference in surface temperature, so they are not sensed. Only at close range can it be sensed.

c.The hotter the weather, the smaller the temperature difference and the shorter the sensing distance. At this time, the sensitivity of the trail camera should be set to medium.

d.When the temperature is high, it may be sensed when there is wind blowing, because the heat flow moves at this moment, resulting in a temperature difference with the environment. When there is no wind, it is difficult to be sensed because there is no temperature difference with the environment. This is what photographers often call false triggers when using the trail cameras.

e. When the weather is colder, objects with temperature appear, and the temperature difference changes greatly, which is easy to be sensed. At this time, the sensing distance is relatively far.

Of course, there are also low temperature limits.

f. Trail cameras typically cannot detect cold-blooded animals (such as snakes, lizards, amphibians, and fish). However, during midday with an intense sunlight, the elevated temperature of these cold-blooded animals may trigger the trail camera. Another possibility is that when cold-blooded animals pass by, the presence of small animals in the vicinity may also trigger the trail camera to capture images.

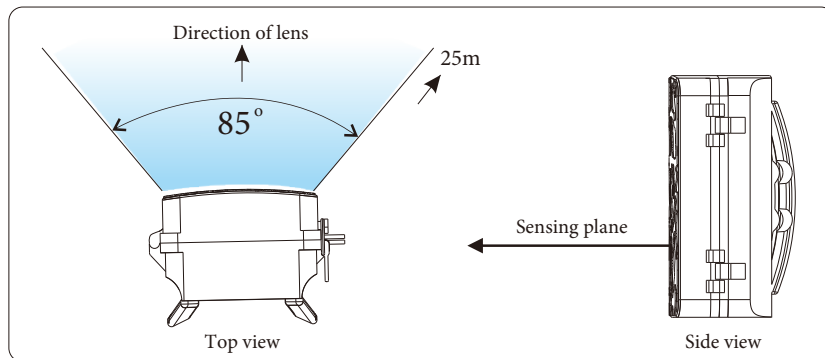
(2) The detection standard of the trail camera is to test in a 22°C environment

The sensing distance of the trail camera used in the Smart camera pal is 25 meters, which is the result of the test with the trail camera at a height of 1.1 meters in a 22°C environment.

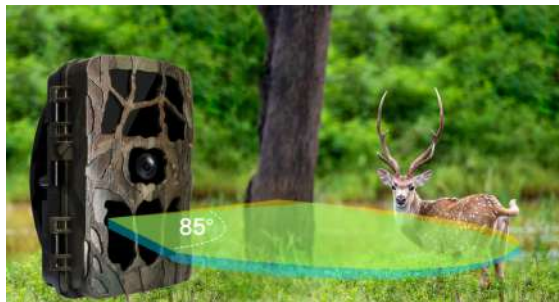
However, in a high-temperature environment, the sensing distance may be shorter, and the higher the ambient temperature, the shorter the sensing distance.

(3) Description of trail camera sensing angle

The PIR sensing angle of the trail camera is 85°, which refers to the sector area of 42.5° to the left and 42.5° to the right perpendicular to the lens axis in the horizontal direction, a total of 85°, as shown in the figure below:



The sensing area is shown as the figure:



Please determine the height and angle of the trail camera erection according to the direction of the camera, the height of the animal and the way it appears.

According to the needs of shooting, purchase an extended trail camera data cable, and the trail camera can be erected at a position away from the Smart camera pal. There are 2m, 5m, and 10m trail camera data cables for purchase.

Chapter 4 Smart camera pal power specifications

1. Battery specification parameter

UB04 Standard battery of Smart camera pal

Battery Type: Rechargeable Lithium-ion Battery

Capacity: 82.88WH

Nominal voltage: 25.9V

Charging Voltage: 29.4 V

Charging Current: standard charging 0.2C

Fast charging 0.5C

Charging Time: Standard charging 4 hours.

Fasting Charge : 2 hours

Working Temperature: Charging Temperature: 0°C~45°C

Discharge Temperature: -20°C~60°

Battery Weight : 418g

Battery Dimension : 138mmX80mmX39mm



Standard Battery : 82.88WH

2. Precautions of battery use

(1) Charging battery

- Use the matching adapter to charge the battery, the adapter indicator light is red.
- The switch must be turned to discharge state "—" to charge.
- During the charging process, please keep the battery placed stably, and pay attention to ventilation and heat dissipation.
- The indicator light will turn green after the battery is fully charged, it can be unplugged and used now. Do not continue charging for a long time after it is fully charged.
- Please charge it in time when the power is less than 25%.

(2) Discharge

- Use the factory-configured flight plug cable, one end connected to the battery discharge port, one end connected to the Smart camera pal power interface. Turn on the battery switch, you can discharge.
- Discharge will generate heat, if used outdoors in strong light, please put the battery in the shade, and pay attention to ventilation and heat dissipation.

c. When it displays a low battery alert signal, please try to turn off the power to avoid over-discharge.

(3) Battery maintenance

To prolong the life of the battery, please maintain it as follows:

- The lithium battery needs to be placed at a suitable temperature, 25°C is appropriate.
- The charging method of lithium battery is the most important among the correct usage of lithium battery. Incorrect charging method can cause safety problems; correct discharge and daily maintenance can extend the life of the battery.
- Use the matching adapter for charging. Too high charging voltage will overcharge the battery, and vice versa, undercharge will occur.
- If the battery has not been used for a long time (e.g. 30 days), the owner must remember to complete a deep charge and discharge cycle for the lithium battery once a month.

Chapter 5 Product specifications and technical parameters

Main specification and parameter of Smart camera pal

(The product's net weight does not include trail cameras)

Product dimension	170X155X110mm	Packing dimension	200X200X200mm
Net weight	0.89kg	Gross weight	1.58kg
Control box working voltage	24V	Rated power	12W
Digital camera working temperature	0° C~45°C (Announced by camera manufacturers)	Battery life	16 days in hibernation

Specification and parameter of trail camera

(Announced by Trail camera manufacturer)

Product dimension	136x90x72mm	Standby	16 Months
Gross weight	277g	Trail light	40 trail lights
Battery type	8 pieces of No.5 battery	Storage	Micro SD (TF) card, up to 512GB
Working temperature	-20°C ~60°C	Function	Can capture at night
Sensing distance	Within 25 m (ambient temperature 22 °C test)	Sensing angle	85°
File format	JPG/AVI	Photo resolution	max 20MP 5200x3900 (interpolated)
Lens	f=3.3mm; F/NO 2.0	Video analysis	max 3840x2160/10fps

Instructions for waterproofing, moisture-proof and dust-proof of Smart camera pal.

- The Smart camera pal zipper is not completely sealed, so it is not waterproof and moisture-proof. It has the ability to protect against rain for a short period of time, but it cannot be exposed to rain for a long time.
- The trail camera is waterproof.
- We have designed a rain cover (optional) that integrates the digital camera and lens, which can protect the digital camera and lens from being wetted by rain in a short period of time.
- If you need a Smart camera pal that is completely waterproof and moisture-proof, it is recommended to purchase a customized Smart camera box.

Chapter 6 Tips for using the Smart camera pal

1. Smart camera pal initialization time

The initialization time is about 6 seconds after turning on the switch.

The initialization time is about 4 seconds when switching the shooting mode .

The initialization time is about 5 seconds when connecting to the trail camera.

2. Shooting mode of Smart camera pal and digital camera must be same

When switching the shooting mode, please switch the shooting mode of digital camera first, then switch the shooting mode on Smart camera pal .

The shooting mode of the Smart camera pal must be consistent with the shooting mode of the digital camera, so that the Smart camera pal can be used normally.

3. The problems that may occur when the camera heats up during digital camera video recording.

Overheating of a digital camera can seriously affect shooting.

When trail camera senses the animal and the animal is always in the sensing area.

Overheating after the digital camera shoots continuously, and the digital camera stops shooting.

After overheating of the digital camera, the animal had left. After the camera gradually cools down and returns to normal working status, the digital camera will continue to shoot in conjunction if the animal appears again.

When the digital camera overheats, the trail camera will continue to sense under its own interval sensing time rules if the animals continues appearing in the sensing area, and the Smart camera pal will continue to send shooting instructions to the digital camera. Before the digital camera returns to normal working status, it will not return to normal working status if receiving shooting commands continuously, it cannot shoot and may even crash. Even the animal left and after the camera gradually cools down, the digital camera cannot return to normal working status.

When the trail camera and digital camera start to work, the shooting functions of control system had been set. For the third-party equipment, the control system of Smart camera pal cannot adjust the shooting setting again. Unless the owner shut down or adjust the digital camera manually to solve these problems.

Therefore, when using the Smart camera pal, please consider the frequency of occurrence and activity habits of shooting target, and set the suitable shooting settings and file format through [Pai pai bao], so that the digital camera will not overheat, or choose a camera with better thermal performance.

4. Precautions of installing equipment.

When the digital camera is in the photo mode, and you prepare to switch the shooting mode. Firstly switch the mode on the camera to the video mode, but the switch on main control box hadn't been switched to video mode, or the [Pai pai bao] hadn't finished the switching of shooting mode, but at this time the trail camera is sensing, and the Smart camera pal will send a photo shooting commands to the digital camera according to the previous photo mode, which may cause the digital camera to crash. Similarly, when the video shooting mode is switched to the photo shooting mode, the trail camera is triggered, and the Smart camera pal sends a video shooting command to the digital camera, but the digital camera may not turn to the photo shooting mode, and the digital camera may crash. This is a phenomenon that the digital camera crashes when it receives too many commands that cannot be executed under the computer controlling mode.

In this case, turning off the digital camera may not restore the camera. Need to take out the camera battery from the digital camera, reinstall it, then restart the Smart camera pal, so that the digital camera can return to normal working status.

Therefore, when installing the Smart camera pal, the trail camera should face no-man's area, avoid triggering from time to time, the digital camera may crash due to receiving too many shooting commands.

Alternatively, after the installation and debugging of the Smart camera pal, the data cable of the trail camera should be inserted at the end to debug the sensor trigger function of the trail camera.

5. Adjustment of the trail camera sensing angle

For the characteristics of the sensing angle of the PIR sensor of the trail camera, please refer to page P11 of the manual.

Mastering this skill is of great help to the height and angle of the trail camera erection, and the accuracy and success rate of digital camera shooting.

If the animal is short and the trail camera is erected high, and the erection is in a vertical direction, the presence of the animal cannot be sensed. If it is a grassy environment, the trail camera is set low, it may be blocked by grass, and animals pass by, and they cannot be sensed. For example: Photographers like to shoot at low angles, what should they do when encountering grass? It is necessary to mount the trail camera high and in an oblique direction. The standard configuration of the Smart camera pal is a 30cm trail camera data cable. We provide 2m/5m/10m data cables (optional) for the separation of the trail cameras and digital cameras.

Chapter 7 Safety precautions of the Smart camera pal.

For safe use of the product, be sure to read these precautions. Please follow these precautions to prevent damage or injury to user or others.

Warning: Indicates a risk of serious injury or death.

1. Please keep the product out of the reach of children. Power cords, cords and straps wrapped around a person's neck may cause suffocation.
2. It is dangerous to swallow the product parts or accompanying items or accessories. If swallowed, please seek medical attention immediately.
3. Swallowing batteries is dangerous. If swallowed accidentally, seek medical attention immediately.
4. Use only the power source specified in these instructions for use with the product.
5. Do not disassemble or modify the product.
6. Do not subject the product to strong impact or vibration.
7. Do not use of the product if there is any abnormality such as smoke or odor.
8. Do not use organic solvents (alcohol, gasoline or paint thinner) to clean the product.
9. Do not get the product wet. Do not insert foreign objects into the product or pour liquid into the product.
10. Do not immerse the battery in water.
11. Do not use the product in an environment where flammable gases may be present. Failure to do so may result in electric shock, explosion or fire.
12. Do not touch the product when it is connected to an electrical outlet during a thunderstorm. Failure to do so may result in electric shock.
13. When using the battery charger or AC adapter, follow the precautions below:
 - a. Use the battery only for the specified product.
 - b. Do not heat the battery or expose it to ignition sources.
 - c. Do not use a battery charger other than the specified one to charge the battery.

- d. Do not expose the terminals to dust or contact with metal nails or other metal objects.
 - e. Do not use leaking batteries.
 - f. When handling the battery, isolate the terminals with tape or by other means.
 - g. Do not touch the battery charger or AC adapter connected to the power outlet during a thunderstorm. Failure to do so may result in electric shock, explosion or fire.
 - h. If the battery leaks and the leaking material comes in contact with skin or clothing, rinse the contact area thoroughly with running water.
 - i. In case of contact with eyes, rinse thoroughly with plenty of clean running water and seek immediate medical attention.
 - j. Use a dry cloth to regularly clean all dust accumulated on the power plug and power outlet.
 - k. Do not plug or unplug the power plug with wet hands.
 - l. Do not use the product without the power plug fully inserted into the power outlet.
 - m. Do not expose the power plug and terminals to dust or allow them to come into contact with metal nails or other metal objects.
14. Do not place heavy objects on the power cord. Do not damage, break or modify the power cord.
 15. Do not wrap the product in cloth or other material while the product is in use or when it has just been used and is still hot.
 16. Do not unplug the power supply by pulling on the power cord.
 17. Do not leave the product connected to the power supply for long periods of time when not in use.
 18. Do not charge the battery at temperatures outside the 0-40° C range. Otherwise, it may cause electric shock, explosion or fire.
 19. Do not leave the product in contact with skin in same position for a long time during use.
 20. In places where the use of the product is prohibited, please follow the signs to turn off the product. Otherwise, other equipment may malfunction due to the influence of electromagnetic waves, and accidents may even occur.
- △ Attention: Please observe the following precautions. Failure to do so may result in personal injury or property damage.
1. Do not place the product in a high or low temperature environment. The temperature of the product may become high or low and may cause burns or injuries when touched.
 2. In addition, do not shake the product or subject it to strong impact.
 3. Do not squeeze the product by force or cause it to collide with objects. Doing so may cause injury or damage to the product.
 4. Please mount the product only on a tripod or fixture that is sufficiently stable.
 5. If an abnormal reaction or inflammation of the skin occurs during or after the use of this product, please stop further use and seek medical attention promptly.

Chapter 8 Product certification and compliance

1. Certification

The batteries used in this device are GB certified, and their chargers are also CCC certified (before August 1, 2024); The charger used has passed CCC certification (please check the relevant certification on the official website of Yueguang Intelligent Company at www.ueleret.com.cn)

2. The name and content of harmful substances in the product.

Name of parts	Harmful substances					
	Lead (Pb)	Mercury (Hg)	Cadmium (Cd)	Hexavalent Chromium (Cr(VI))	Polybrominated biphenyls (PBB)	Polysynthetic diphenyl ether (PBDE)
Plastic mechanism parts	O	O	O	O	O	O
Metal mechanism parts	O	O	O	O	O	O
Circuit board components	X	O	O	O	O	O
Touchpad	O	O	O	O	O	O
Internal wires	O	O	O	O	O	O
External wires	O	O	O	O	O	O
Package material	O	O	O	O	O	O
Accessories	O	O	O	O	O	O
Battery	X	O	O	O	O	O
Print	O	O	O	O	O	O

This table is prepared in accordance with the provisions of SJ/T 11364

O : Means the content of the hazardous substance in all homogeneous materials of the part is below the limit requirement specified in GB/T 26572.

X : It means that the content of the hazardous substance in at least one homogeneous material of the part exceeds the limit specified in GB/T 26572.



People's Republic of China Restricted
Use Mark for Hazardous Substances in
Electrical and Electronic Products

This mark applies to electrical and electronic products sold in the People's Republic of China, and the number in the center of the mark represents the environmental use period of the product. As long as you observe the safety and usage precautions related to this product, there will be no environmental pollution or serious impact on human body and property within the above mentioned period of time from the date of manufacture.

Disclaimer: As this product is an original patented product, there may be changes in its features or specifications in the future. In the event of any changes, please refer to the official website of our company. Yueguang Intelligent reserves the right to interpret any changes.