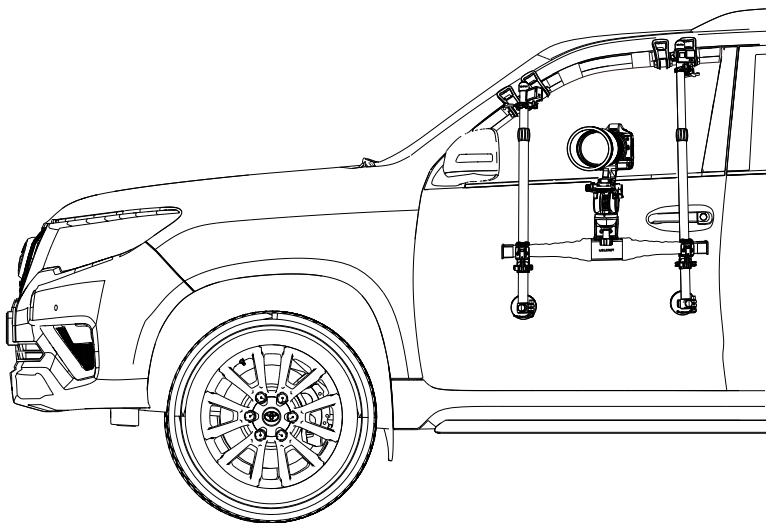


Mounted Car Camera Slider

Installation and use manual



Without written authorization from Zhongshan Yueguang Intelligent Imaging Technology Co., Ltd., any form of complete or partial replication of this manual is strictly prohibited (except for simple quotations for article or comment evaluation purposes).

February 2024



Zhongshan Yueguang Intelligent Imaging Technology Co., Ltd.,

Address: Room 306, C area, 3rd floor, Building 7, Zhangqi Technology Incubator,
No.70 Zhongshan Gang Road, Torch Hi-tech Industrial Development Zone,
Zhongshan City.

Offical Address: NO.10 Yiwei Road, Torch Hi-tech Industrial Development
Zone, Zhongshan City, Guangdong Province. Post code: 528437

Phone: 0086-0760-89878172

Website: <http://www.ueleret.com.cn>

© 2024 Ueleret Smart Image Technology Co.Ltd

Content

Chapter 1	Mounted car camera slider structure diagram	
1.	Mounted car camera slider structure diagram.....	1
2.	Telescopic pole assembly diagram.....	2
3.	Car door hanger assembly diagram.....	2
4.	Car door frame protective cover and weather stripping diagram.....	2
5.	Magnetic chuck support assembly diagram.....	3
6.	Crossbar height adjustment assembly diagram.....	3
7.	Crossbar assembly diagram.....	4
Chapter 2	Mounted car camera slider installation instructions	
Part 1:	Installation of telescopic pole with magnetic chuck.....	5
	Installation of rubber vacuum suction cup.....	8
Part 2:	Adjustment of the crossbar height adjustment assembly.....	10
Part 3:	Installation of horizontal slider assembly.....	12
Part 4:	Installation of weather stripping.....	12
Part 5:	Installation of digital camera.....	14
Chapter 3	Product specifications and technical parameters	15
Chapter 4	Tips for using Mounted car camera slider	15
Chapter 5	Safety Precautions	16
Chapter 6	Product Certifications and Compliance	17

Preface

Thank you for your trust and choosing the Mounted car camera slider from the UELERET Adjustable car camera stabilizer series.

The Mounted car camera slider is a brand-new auxiliary photography product. When installed on the owner's car, it greatly facilitates the owner's car shooting needs.

Driving for photography is a common practice for wildlife photographers. Car shooting offers the following advantages:

1. Cars provide excellent concealment; animals are not afraid when they see a car, but they may flee if they spot the humans.
2. Cars serve as effective shelters, protecting against wind and rain.
3. Cars can effectively track moving animals.

However, car shooting also has many pain points, with two major ones being:

1. Inability to adjust the camera height. Car shooting often results in a downward angle, places the camera at the window, but the height of most wildlife animals is significantly lower than the window.

2. Insufficient stability for video recording. Any movement inside the car causes the vehicle to shake. While static photos can maintain clarity with the right shutter speed, existing car shooting methods struggle to ensure stability in video recording.

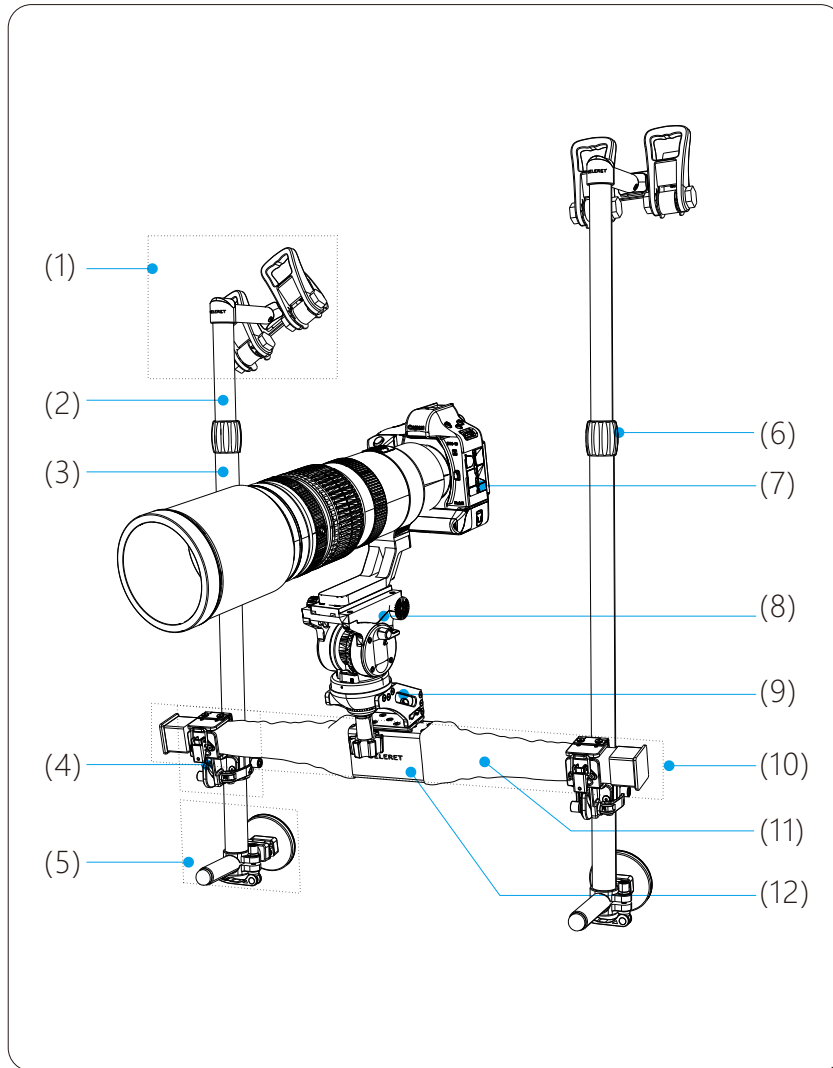
The Mounted car camera slider effectively solves these pain points in car shooting:

1. Moving the head left and right allows tracking the movement of animals in front of the car window, providing a full-angle view of animals in a convenient shooting direction.
2. The head can move horizontally, the owner does not need to move extensively inside the car and avoiding inconvenience in cramped interior spaces.
3. With the vehicle stable, the head enables smooth camera movement shooting.
4. Without removing the camera, it allows driving the car while following moving animals.
5. Without removing the camera, the car window glass can be freely raised and lowered, providing concealed waiting inside the car.
6. The slider is sturdy and reliable.
7. The slider can hold various shooting equipment, such as action cameras and smartphones, for capturing scenes both inside and outside the car. The Mounted car camera slider, combined with an Lifiable camera monopod, becomes an Adjustable car camera stabilizer, effectively solving the two major pain points in car shooting.

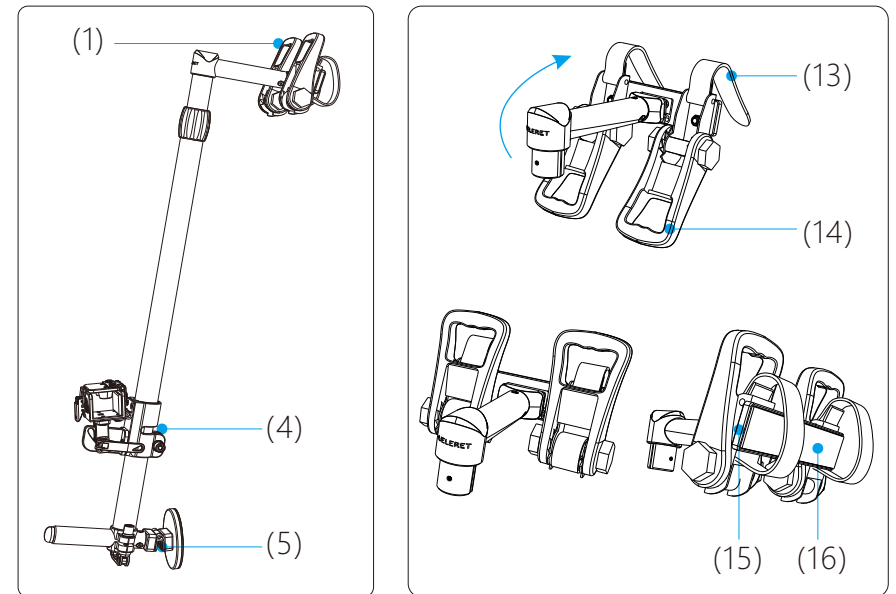
This manual provides detailed instructions on the installation and use of the car camera stabilizer.

Chapter 1 Mounted car camera slider structure diagram

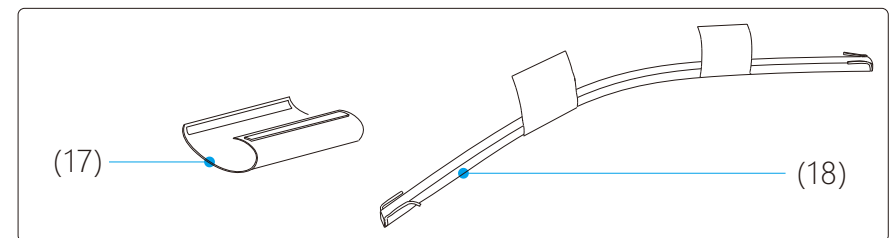
1. Mounted car camera slider structure diagram



2. Telescopic pole assembly diagram 3. Car door hanger assembly diagram

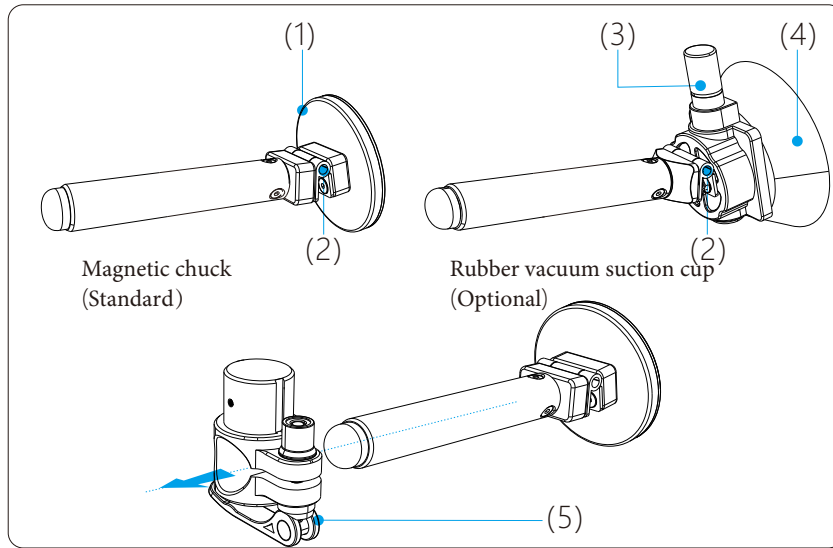


4. Car door frame protective cover and Weather stripping diagram



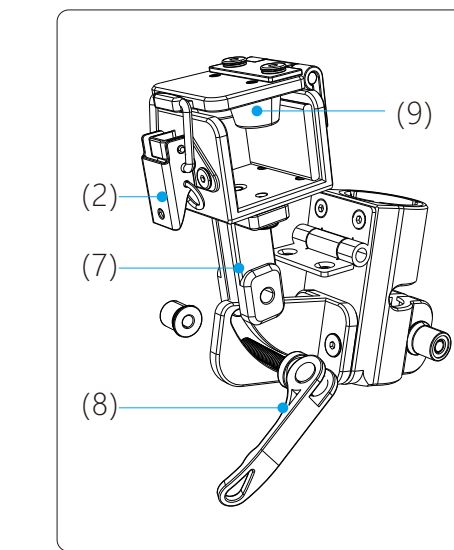
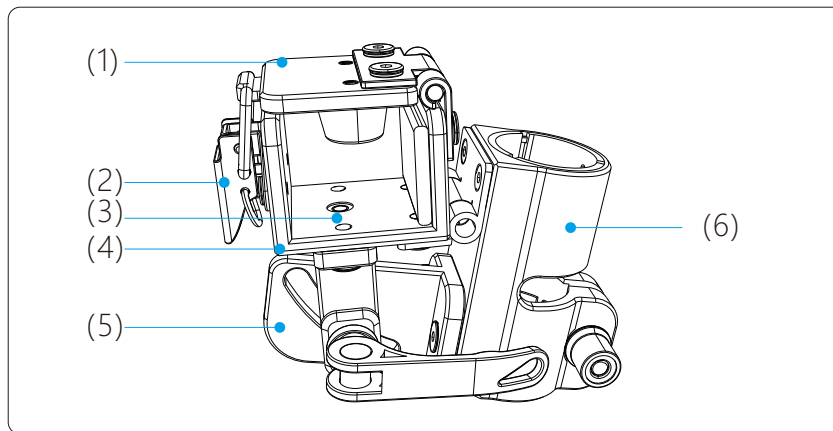
- | | | |
|--|---|--|
| (1). Car door hanger assembly | (7). Digital camera (Demonstration items, not included) | (14). Ratchet tensioner handle |
| (2). Telescopic pole inner tube | (8). Head (Demonstration items, not included) | (15). Aluminum alloy door frame pressing plate |
| (3). Telescopic pole outer tube | (9). Bowl head adapter (Curved type)(Optional) | (16). Rubber plate of car door frame |
| (4). Crossbar height adjustment assembly | (10). Crossbar assembly | (17). Car door frame protective cover |
| (5). Magnetic chuck support assembly | (11). Dust proof cover | (18). Weather stripping |
| (6). Telescopic pole knob | (12). Slider base assembly | |
| | (13). Ratchet strap | |

5. Magnetic chuck support assembly diagram



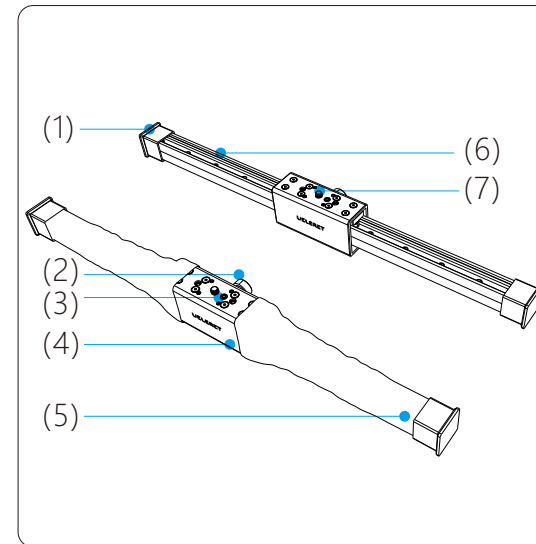
- (1). Magnetic chuck
- (2). Damping hinge
- (3). Vacuum pump push
- (4). Hand pump vacuum suction cup
- (5). Quick release bolt wrench

6. Crossbar height adjustment assembly



- (1). Crossbar placement groove cover
- (2). Aircraft buckle
- (3). Air level
- (4). Crossbar placement groove
- (5). Crossbar placement groove T-shaped support bracket
- (6). Crossbar height adjuster
- (7). Crossbar placement groove T-shaped horizontal adjustment bracket
- (8). Quick release bolt
- (9). Black rubber feet

7. Crossbar assembly diagram

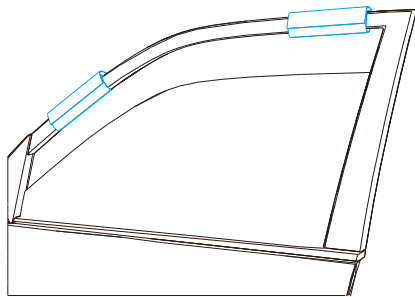


- (1). PVC rubber square cover
- (2). Aluminum alloy handle
- (3). Air level
- (4). Slider base
- (5). Dust proof cover
- (6). Inner double axis linear slider rail
- (7). 3/8 screws

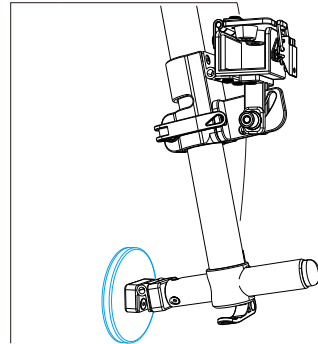
Chapter 2 Mounted car camera slider installation instructions

Part 1 : Installation of telescopic pole with magnetic chuck

1. Install the car door frame protective cover: 2. Install the magnetic chuck:

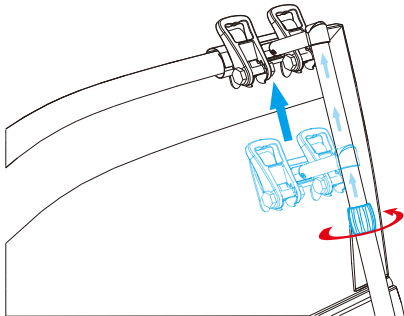


Open the door and lower the window. Wrap the protective cover around the door frame and tighten it, securely attach the Velcro on the fabric cover.

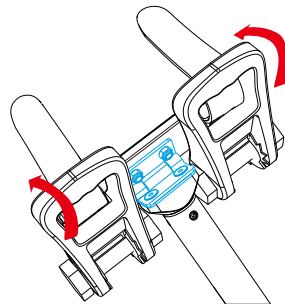


Select an appropriate position on the car door and attach the magnetic chuck to it.

3. Installation of telescopic pole:

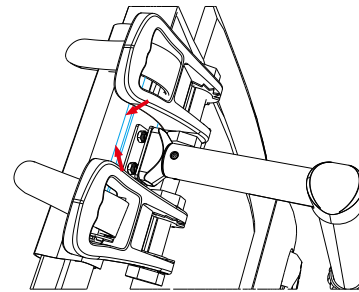


(1). Rotate the knob of the telescopic pole and extend the upper part of the pole to the position of the car door frame. Then, tighten the knob.

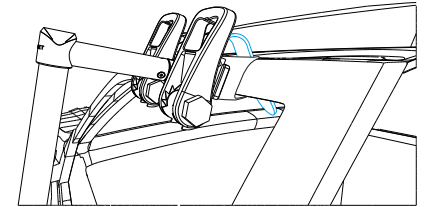


(2). Adjust the car door hanger assembly of the telescopic pole.

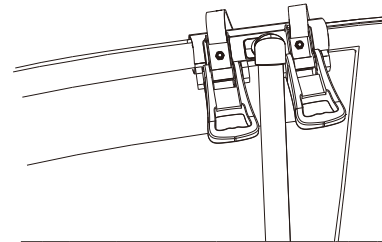
Note: Adjust the rotatable car door hanger assembly to align with the curvature of the door.



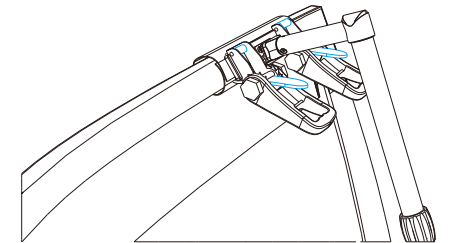
(3). Position the door frame rubber pressing plate of the car door hanger assembly in the same direction as the curved door frame, then press it tightly against the door frame.



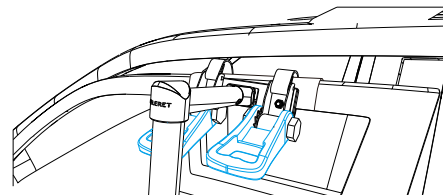
(4). Thread the ratchet strap through the door frame.



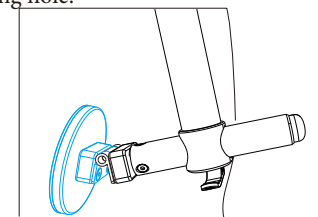
(5). Open the of ratchet tensioner handle.



(6). After the ratchet strap passes through the car door frame, pass it from the inside out through the ratchet locking hole.



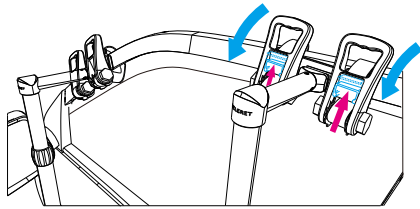
(7). Swing the handle of the ratchet tensioner up and down to tighten the strap until the telescopic pole car door hanger assembly is securely attached to the door frame.



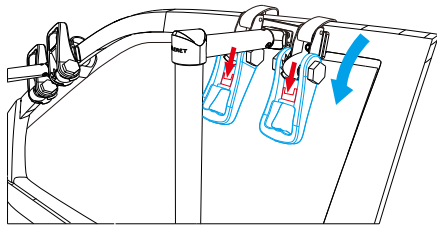
(8). Move and slightly adjust the angle of the magnetic chuck hinge to ensure the magnetic chuck fit better with the door surface.

Note: Follow these steps to release the strap(Cannot directly pull to release)

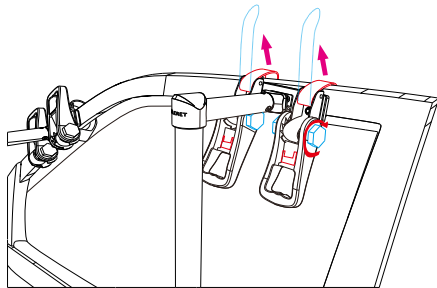
Steps of strap unfastening:



1. Push the unlocking latch of the ratchet to the bottom in the direction of the red arrow, then pull the handle. While pulling the handle, do not release the unlocking latch; keep it pushed to the bottom.



2. Pull the ratchet handle until it reaches the extreme position (the ratchet handle aligns nearly in a straight line with the locking mechanism). While keeping the unlock latch pushed down to the bottom, you can then pull the strap out from the locked position on the pivot axis.



3. While still keeping the unlocking latch pushed to the bottom, rotate the ratchet axis towards the inside of the car. The strap can be pulled out to freeing the ratchet tensioner from the door frame.



Explanation: Why choose a ratchet tensioner to secure the telescopic pole to the car door frame?

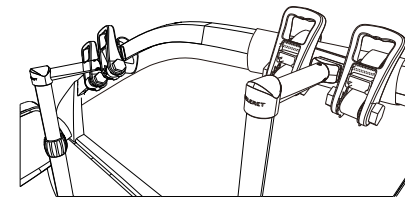
The ratchet tensioner offers several advantages:

- (1). Safety and reliability: The unidirectional transmission feature of the ratchet gear ensures movement in only one direction. Once installed, it prevents loosening.
- (2). Safety and durability: The steel frame is crafted from carbon steel, and the strap is made of a robust acid and alkali-resistant polypropylene fiber material, ensuring safety and durability.
- (3). Non-damaging to the vehicle body: The use of flat woven straps made from fiber materials ensures that force points are dispersed, providing a soft and non-damaging surface to the car body paint.
- (4). Tremendous pulling force: With a 1-inch/25mm wide woven strap, each ratchet tensioner can generate a pulling force of 800 kilograms, totaling 3200 kilograms (1.6 tons) for all four.
- (5). Quick installation and removal, easy to operate, time and labor-saving.

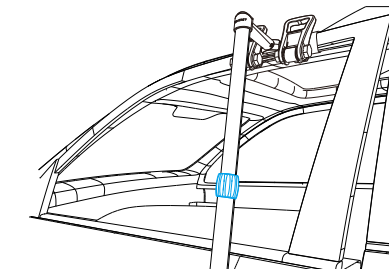
Note: If the car has aluminum doors and magnetic chuck cannot adhere, rubber vacuum suction cups need to be used.

Installation of rubber vacuum suction cups:

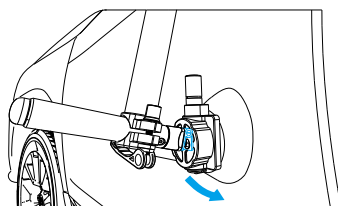
Rubber vacuum suction cups are optional accessories.



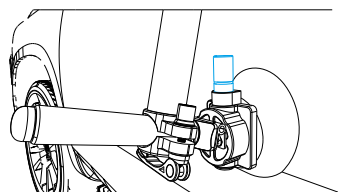
1. Follow steps (2)-(7) of point 3 on pages P5-P6 to securely attach the car door hanger assembly to the car door frame.



2. Loosen the knob in the middle of the telescopic pole, pull out the inner pole to the appropriate length (allow the suction cups to adhere to a relatively flat area on the car door, adjusting the height according to different car models), and then tighten the knob to secure the length of the telescopic pole.



3. Adjust the angle of the suction cups based on the curvature of the car door surface, ensuring that the suction cups fully adhere to the car door surface.



4. Press the button above the suction cup's vacuum pump to securely attach the suction cup to the car door (Until it unable to pull the telescopic pole outward with force).

Explanation: Why choose the magnetic chuck as the standard assembly

The load-bearing capacity of the Mounted car camera slider mainly depends on the ratchet; the magnetic chuck is not the load-bearing point, just for positioning points to prevent the pole from sliding. Even if the vacuum suction cups deflate and loosen, resulting in the loss of magnetic force, the car mount will not detach. The load-bearing capacity of the car mount remains unchanged, ensuring the safety of the photography equipment.

The unique advantages of magnetic chuck:

1. Magnetic chuck, the suction force is more powerful in extremely cold weather (minus 30 degrees/40 degrees/50 degrees).
 2. The magnetic chuck is not affected by wind, sand and rain, and does not require special protection.
 3. The magnetic chuck prevents the vacuum suction cup from loosening immediately after sudden air leakage on the car door.
 4. Long service life.
 5. The magnetic chuck is extremely easy to install. It is close to the car door and will automatically attract the sticker.
 6. The magnetic chuck can be used on doors made of iron and alloy materials; it cannot be used on doors made of pure aluminum.
 7. 88mm diameter magnetic chuck, suction force 40-50 kg.
 8. Does not damage the car door. The outside of the magnetic chuck is injection molded
- Note: At high temperatures above 75 degrees, the magnet's section power will decrease. If you need a magnetic chuck that can withstand higher temperatures, it can be customized.

Explanation: What are the advantages and disadvantages of the optional rubber vacuum suction cups?

For some models with all-aluminum doors where magnetic chuck cannot adhere, rubber vacuum suction cups are required. Here are the characteristics of rubber vacuum suction cups:

Advantages: :

1. Suitable for all car models.
2. Suction power of 60 kilograms.
3. Rubber does not damage the car door.

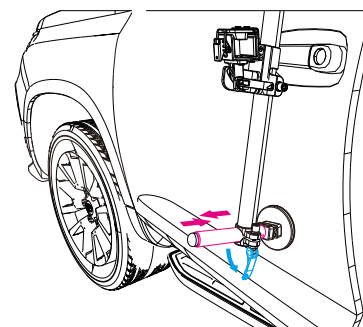
Disadvantages:

1. It is easily affected by the external environment when used outdoors.
2. In extremely cold weather (down to -30°C/-40°C/-50°C), the suction cups may harden and become unable to install.
3. Wind, sand, and mud greatly affect the quality of the suction cups, Seriously affects suction force and lifespan.
4. If the rubber vacuum suction cups deflate, they may become loose.

Warm tips: Users can combine the characteristics of both types of suction cups and choose the appropriate type based on factors such as door material and usage scenario.

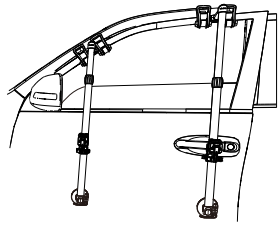
Part 2: Adjustment of the crossbar height adjustment assembly

1. Adjustment of the distance between the telescopic pole and the car door:



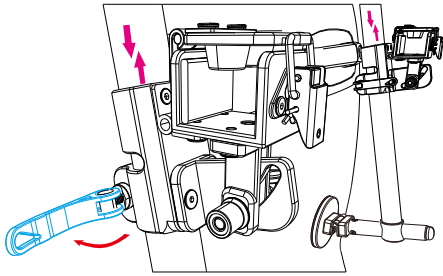
- (1). Loosen the screw under the magnetic chuck support pole connection head with a screwdriver, allowing the support pole to slide freely within the connection head. Adjust the distance between the telescopic pole and the car door based on the thickness of the car door handle and the length of the camera lens. Ensure that the door can be smoothly opened by pulling the handle.

Note: The crossbar is not yet installed at this time, so it is necessary to predict the distance between the crossbar and the car door based on experience after installing the crossbar.

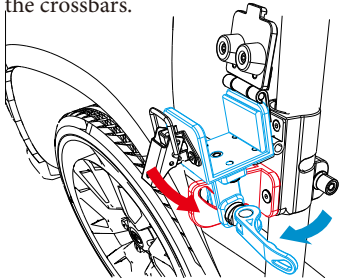


(2). Choose the appropriate installation location according to the width of the door and install the second telescopic pole in the same way.

2. Height adjustment:

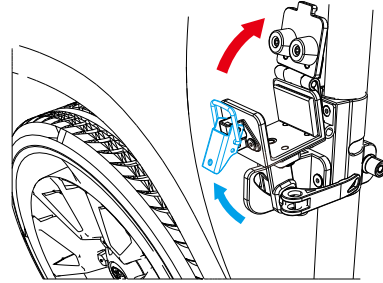


Loosen the bolt wrench on the back of the crossbar height adjustment block, crossbar height adjustment assembly can be slid up and down on the telescopic pole, adjust the crossbar height adjustment assembly of the two telescopic poles at the same height to ensure the horizontal balance of the crossbars.

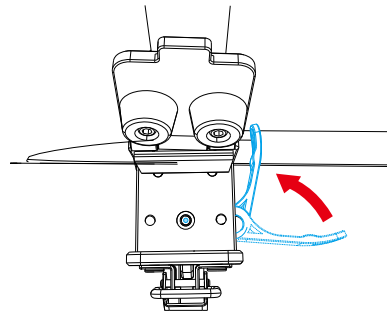


(2). Loosen the screw wrench of the T-shaped horizontal adjustment base in the crossbar placement slot, and slide the T shaped adjustment base along the arc shaped hole of the support base.

3. Horizontal balance adjustment:



(1). Pull up the wrench of the buckle to release the buckle ring and open the slot cover.

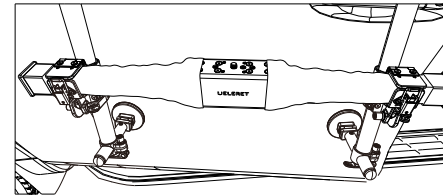
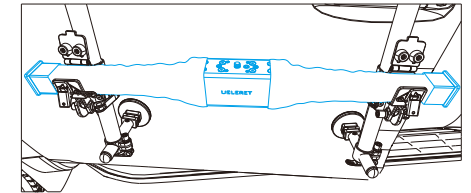
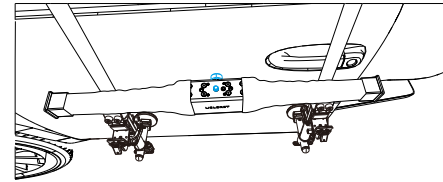


(3). Observe the horizontal beads in the groove and adjust it until it is in the middle, to ensure the horizontal balance. Re-tighten and pull back the screw wrench to secure the adjustment base.

Warm tips: The height of the crossbar should be adjusted according to the height of the tripod head and the height of the shooting subject .

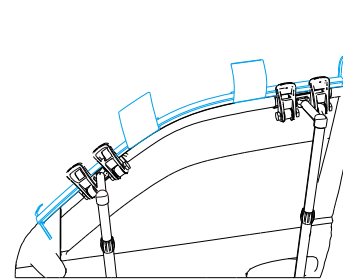
Part 3: Installation of Crossbar assembly

1. Stretch the dust proof cover on the crossbar straightly from both sides to the middle. With the slide rail locking knob facing the car door and the 3/8 nut facing up, put it into the cross bar placement slot from top to bottom.

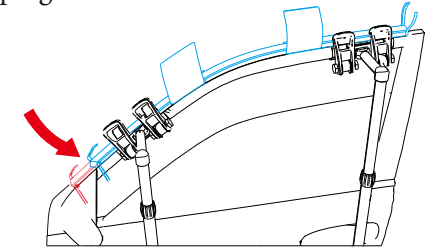


2. Close the slot cover, lock the recessed position of the slot cover with the buckle, press the buckle wrench, Reinsert the latch and press the rubber feet under the slot cover tightly against the crossbar.

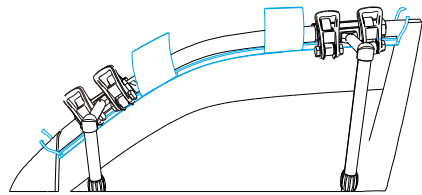
Part 4: Installation of the Weather stripping



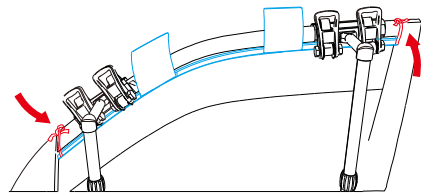
1. Align the Weather stripping with the car door frame.



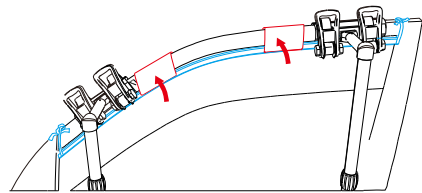
2. Cut the sponge of the Weather stripping according to the length of the car door frame.



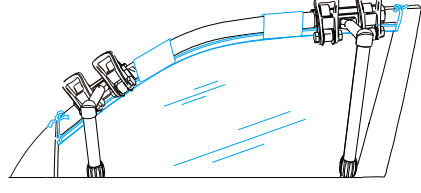
3. Place the Weather stripping directly under the car door frame.



4. Tie the straps on both sides of the Weather stripping to the car door frame.

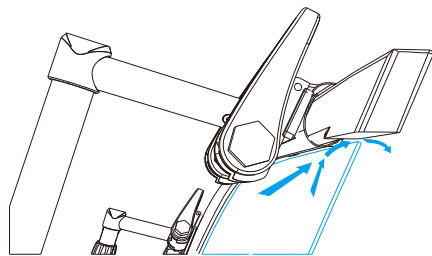


5. Wrap the fabric on the Weather stripping around the car door frame and stick tightly to secure the Weather stripping under the car door frame.

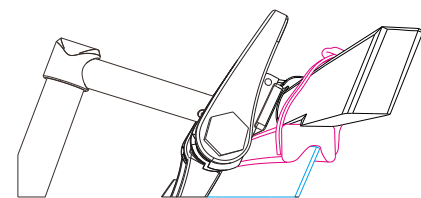


6. With the Weather stripping in place, the car window glass can fully close, preventing sand, wind, rain, or snow from entering the car.

Explanation: Why install Weather stripping.



1. The car camera is tied to the car door frame through a ratchet. After the window glass is raised, there will be a gap; Wind, sand and dust will blow into the car through the gaps, and rain will fly in. In extremely cold weather, the car's insulation effect will be reduced.



2. After installing the Weather stripping, raise the window, and the glass will push up against the soft sponge core in the weather stripping. The gap between the sponge and the door frame will be filled. At the same time, the glass and the sponge will form a concave angle, which is completely closed. Prevent dust, wind, sand and rain from intruding into the car.

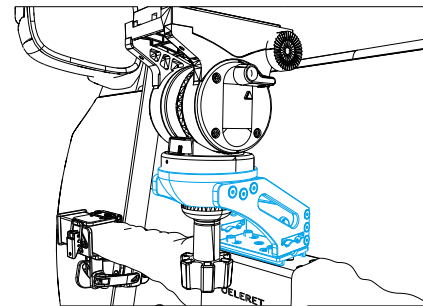
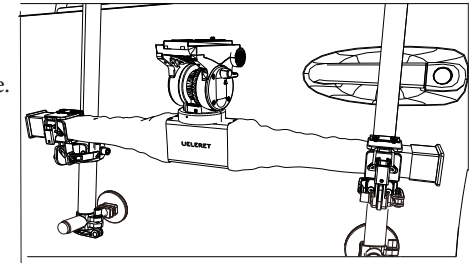
Part 5: Installation of digital camera

1. Using a mechanical head

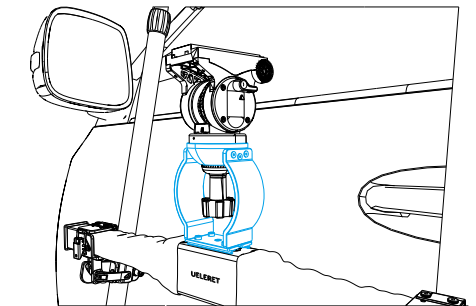
Directly screw the mechanical tripod head onto the 3/8 nut of the tripod head slider base.

2. Using a bowl head

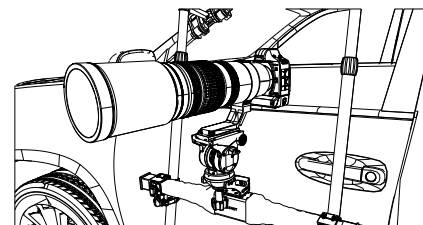
If using a bowl head, first install either the Curved bowl head adapter or the Upright bowl head adapter on the slider base (both adapters are optional and can be selected based on shooting preferences).



Bowl head adapter(Curved type)



Bowl head adapter(Upright type)



3. Attach the digital camera (with a telephoto lens) to the head's quick-release plate by hand-tightening the nut.

Warm tips: If the shooting position is not comfortable enough, you can readjust the distance between the telescopic holder and the car door.

Chapter 3 Product Specifications and technical parameters

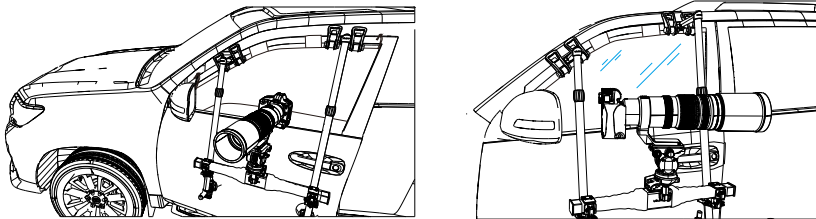
Main specification and parameter of Mounted car camera slider :

Net weight	7.5kg
Gross weight	8kg
Packing dimension	900mmX365mmx190mm
Load capacity	During motion≤30kg Static state≤80kg
Main materials	Carbon fiber, Aluminum alloy
Rail length	750mm
Lateral movement range	Max 500mm
Telescopic pole length	Fully retracted780mm, fully extended1210mm
Ratchet tensioner pulling force	800kg/pc, total 3200kg for 4 pcs

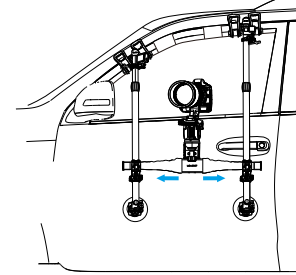
Chapter 4 Tips for using Mounted car camera slider

1. You can freely raise and lower windows, open and close doors, and drive the vehicle without removing the camera.

It doesn't hinder normal door operations without remove the camera. Align the camera and lens parallel to the door to operate windows and drive the vehicle.



2. Camera horizontal movement for full-angle shooting in front of the window and camera motion shooting.

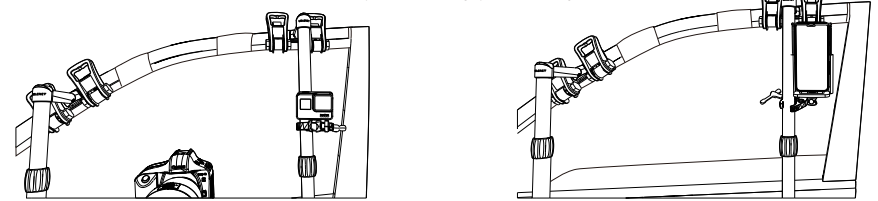


Move the tripod head left and right to follow the animals, easily take photos of animals in front of the car window from all angles. Reduces the movement of the photographer in the car greatly.

Keep the camera in the vertical direction to the car camera pole and move the slider horizontally to follow the subject. Achieve moving lens shooting effect

3. Mounting action cameras or cellphones on the telescopic pole:

Mount action cameras or cellphones on the telescopic holder. Capture scenes both inside and outside the car, effortlessly enriching your image content.



Chapter 5 Safety precautions of Mounted car camera slider

For safe use of the product, be sure to read these precautions. Please follow these precautions to prevent damage or injury to user or others.

Warning: Indicates a risk of serious injury or dead.

1. Please keep the product out of the reach of children. Falling products may result in injury.
2. It is dangerous to swallow the product parts or accompanying items or accessories. If swallowed, please seek medical attention immediately.
3. Do not disassemble or modify the product.
4. Do not subject the product to strong impact or vibration.
5. Do not use organic solvents (alcohol, gasoline or paint thinner) to clean the product.

6. Do not get the product wet. Do not insert foreign objects into the product or pour liquid into the product.
7. Do not immerse the product in water for a long time.
8. Do not use the product in an environment where flammable gases may be present. Failure to do so may result in electric shock, explosion or fire.
9. Do not install or use the product outside the vehicle during thunderstorms or heavy rain.
10. Do not place objects on the product that exceed its weight capacity.
11. Avoid allowing the product to come into contact with power sources to prevent the risk of electric shock.

△ Attention: Please observe the following precautions. Failure to do so may result in personal injury or property damage.

1. Do not place the product in a high or low temperature environment. The temperature of the product may become high or low and may cause burns or injuries when touched.
2. In addition, do not shake the product or subject it to strong impact.
3. Do not squeeze the product by force or cause it to collide with objects. Doing so may cause injury or damage to the product.
4. When using the product, please confirm that the product has been installed securely.
5. Please do not place the product at a high place to avoid falling and injuring people.

Chapter 6 Product Certifications and Compliance

The name and content of harmful substances in the product.


Name of parts	Harmful substances					
	Lead (Pb)	Mercury (Hg)	Cadmium (Cd)	Hexavalent Chromium (Cr(VI))	(PBB)	(PBDE)
Plastic parts	○	○	○	○	○	○
Metal parts	○	○	○	○	○	○
Internal wires	○	○	○	○	○	○
External wires	○	○	○	○	○	○

Name of parts	Harmful substances					
	Lead (Pb)	Mercury (Hg)	Cadmium (Cd)	Hexavalent Chromium (Cr(VI))	(PBB)	(PBDE)
Package material	○	○	○	○	○	○
Accessories	○	○	○	○	○	○
Print	○	○	○	○	○	○

This table is prepared in accordance with the provisions of SJ/T 11364

O : Means the content of the hazardous substance in all homogeneous materials of the part is below the limit requirement specified in GB/T 26572

X : It means that the content of the hazardous substance in at least one homogeneous material of the part exceeds the limit specified in GB/T 26572



The ROHS standard, officially known as the "Restriction of Hazardous Substances in Electrical and Electronic Equipment," is also referred to as the SJ/T 11364-2014 standard. This standard applies to the production, sale, and import of electronic and electrical products within China. These products include communication equipment, computers and peripherals, household appliances, electronic toys, among others. The standard imposes restrictions on six hazardous substances found in electronic products, namely lead, mercury, cadmium, hexavalent chromium, polybrominated biphenyls (PBBs), and polybrominated diphenyl ethers (PBDEs).

Restriction of Hazardous Substances (ROHS) Certification for Electronic and Electrical Products

Disclaimer: As this product is an original patented product, there may be changes in its features or specifications in the future. In the event of any changes, please refer to the official website of our company. Yueguang Intelligent reserves the right to interpret any changes.